

MAIN TECHNICAL PARAMETERS

Item		Value	Remarks	
Working performance	Max. rated lifting capacity	kg	110000	
	Max. load moment of basic boom	kN.m	3540	
	Max. load moment of max. length main boom	kN.m	1728	
	Max. lifting height of basic boom	m	13.7	
	Max. lifting height of main boom	m	59.2	
	Max. lifting height of jib (optional: 9.5 m extension)	m	86.0	These parameters do not include deflection of boom and jib.
Working speeds	Max. hoist rope speed (main winch)	m/min	≤130	Drum 4 th layer
	Max. hoist rope speed (auxiliary winch)	m/min	≤110	Drum 2 nd layer
	Boom derricking up time	s	60	
	Boom telescoping out time	s	480	
Driving	Slewing speed	r/min	0~1.6	
	Max. driving speed	km/h	90	
	Max. gradeability	%	40	
	Min. turning diameter	m	24	
	Min. ground clearance	mm	310	
Mass	Oil consumption per hundred kilometers	L	46	
	Deadweight in driving condition	kg	50000	
	Complete vehicle kerb mass	kg	49805	
	Front axle load	kg	24000	
Dimension	Rear axle load	kg	26000	
	Overall dimensions (L×W×H)	mm	15000×2850×3820	
	Longitudinal distance between outriggers	m	6.38	
	Transversal distance between outriggers	m	Completely extended: 8.0	
	Tail slewing Radius	mm	4420	
	Main boom length	m	12.5~58.5	
	Boom angle	°	-2~80	
	Jib length	m	10.4, 17.5	Optional: 9.5 m extension
	Offset	°	0, 15, 30	
	Tip boom length	m	3	Optional
Tip boom angle	°	30		

ZOOMLION

Zoomlion Heavy Industry Science & Technology Co.,Ltd.

Add: No.677, Lugu Road, Zoomlion Industrial Park, Changsha, Hunan, China, 410205

Copyright©2020 Zoomlion. All rights reserved. Reproduction and copying of any part of contents is not allowed for any purposes without Zoomlion's approval.



Product specifications are subject to change without notice and obligation. The photographs and/or drawing in this document are for illustrative purposes only. Please consult your local ZOOMLION dealer for more information.
website:en.zoomlion.com 2020.09.04

ZOOMLION TRUCK CRANE ZTC1100R



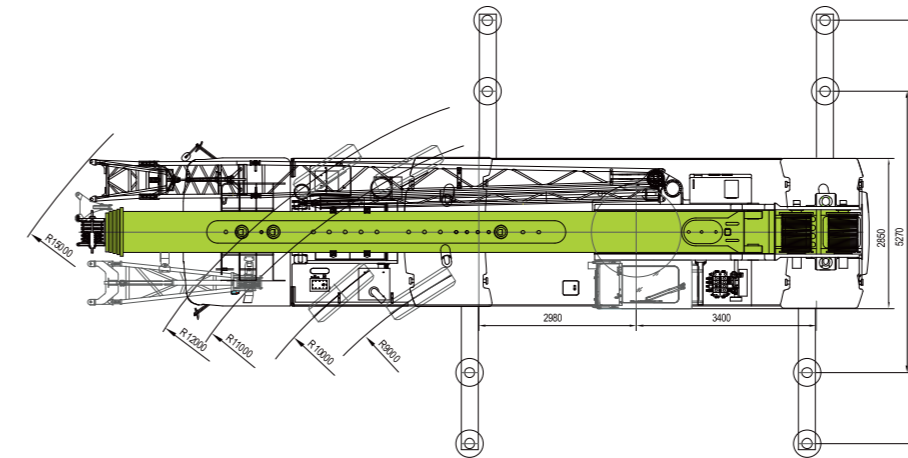
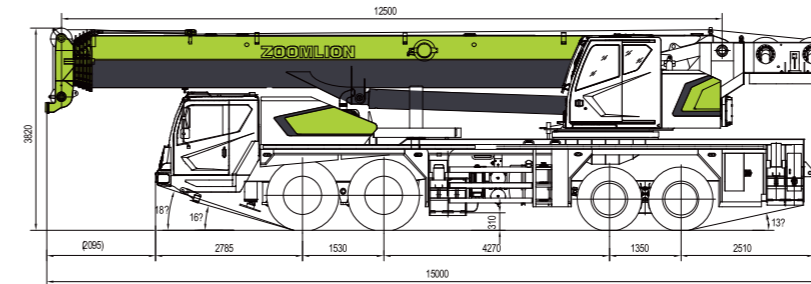
ZOOMLION

4.0
PRODUCTS

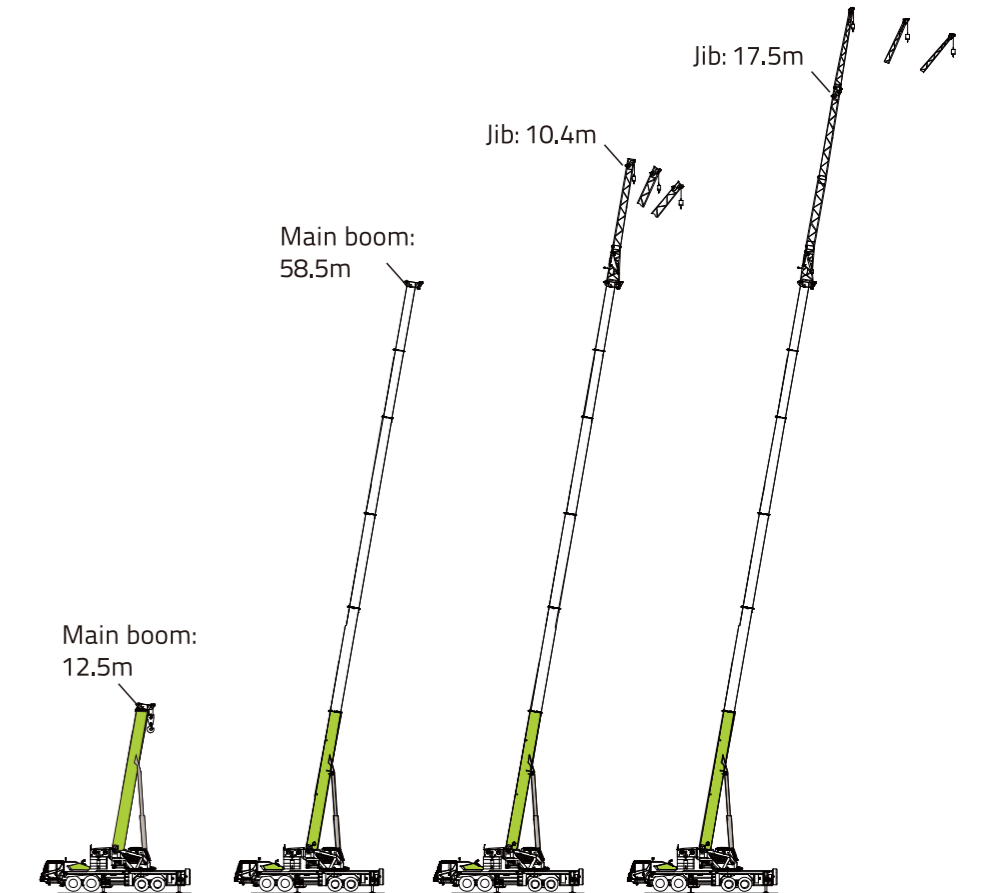
CONTENTS

CRANE DIMENSIONS	2
BOOM / JIBS COMBINATION	2-3
CRANE AND COMPONENT WEIGHTS	3-4
LIFTING HEIGHT CURVE	5-10
LIFTING CAPACITY TABLES	5-10
TECHNICAL SPECIFICATIONS	10
MAIN TECHNICAL PARAMETERS	11

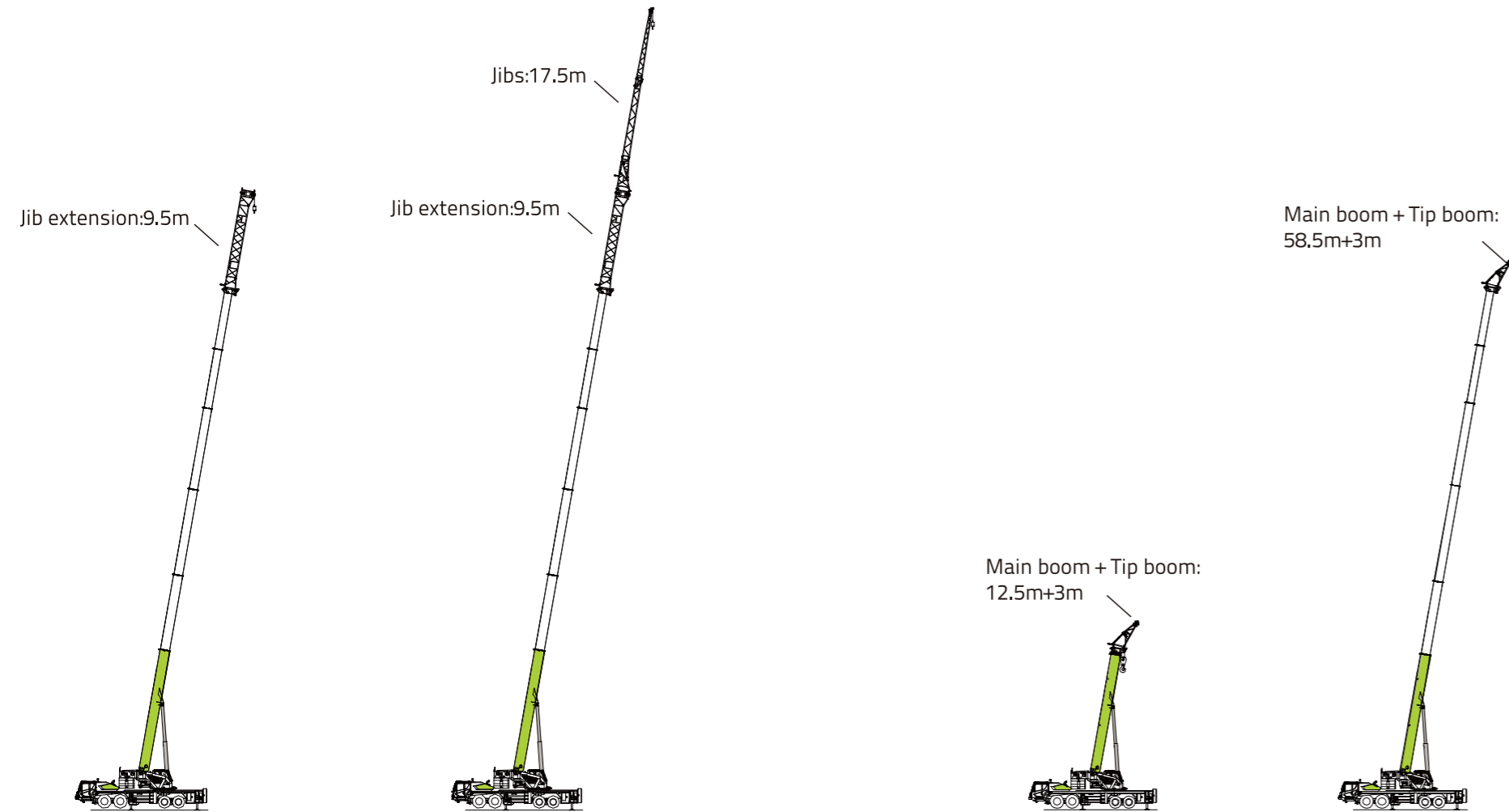
CRANE DIMENSIONS



BOOM / JIBS COMBINATION



BOOM / JIBS COMBINATION



CRANE AND COMPONENT WEIGHTS

Axle	1	2	3	4	Total weight
T	12	12	13	13	50

Hook Detailed Description

Hook Load T	No. of Sheaves	No. of Lines	Weight Kg	Remark
80	6	12	685	optional
70	6	12	689	optional
60	6	12	670	standard
6.5	-	1	200	standard

Working Speed

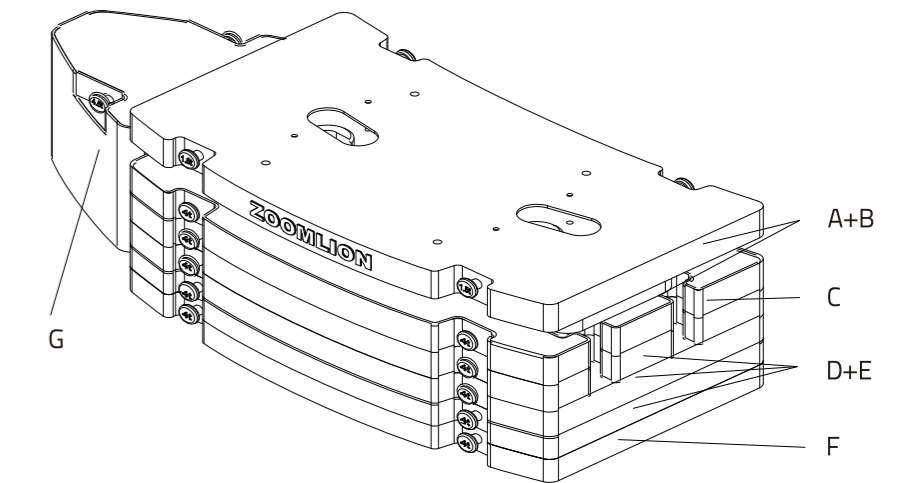
	km/h MAX.		
385/95R25(front) 12.00R24(rear)	90	40	10/ R2

Drive	Operation Speed	Rope diameter/length	Max. single line pull
1	130m/min	Φ 20mm/260m	6500Kg
2	110m/min	Φ 20mm/210m	6500Kg
360	0 ~ 1.6r/min		
	60/80s		
	480/480s		

CRANE AND COMPONENT WEIGHTS

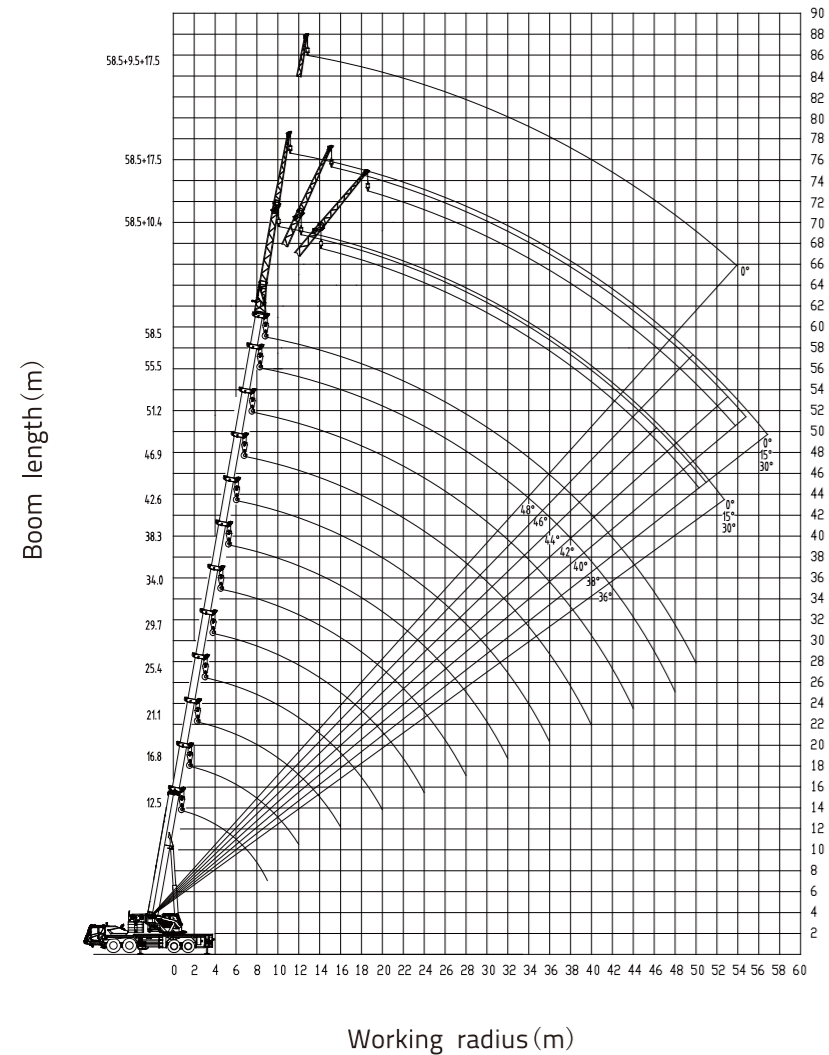
Counterweight

Counterweight	Size(L*W*H) mm	Weight T	3T	7T	11T	15T	19T	23T	28T
A	2820X1444X180	1.5	1	1	1	1	1	1	1
B	2620X750X160	1.5	1	1	1	1	1	1	1
C	2820X1645X190	4	-	-	-	-	-	1	1
D	2820X1645X190	4	-	-	-	-	1	1	1
E	2820X1644X190	4	-	-	1	2	2	2	2
F	2820X1644X165	4	-	1	1	1	1	1	1
G	1266X1260X695	2.5	-	-	-	-	-	-	2



LIFTING HEIGHT CURVE

Lifting height chart with the main boom and jib installed



LIFTING CAPACITY TABLES

Outrigger fully extended 8m, 28T CWT, over rear and sides												
Working Radius (m)	Boom length (m)											
	12,5*	16,8	16,8	16,8	16,8*	21,1	21,1	21,1	21,1	21,1*		
2.5	110.0**											
3.0	80.0*	39.0	60.0	70.0	70.0	24.0	42.0	59.0	65.0	65.0		
3.5	78.0*	37.0	59.0	70.0	70.0	23.0	41.0	57.0	65.0	65.0		
4.0	76.0*	35.0	57.5	70.0	70.0	22.0	40.0	55.0	65.0	65.0		
4.5	70.0*	32.5	54.5	65.0	65.0	21.0	38.0	51.0	65.0	65.0		
5.0	66.0	30.5	51.0	60.0	60.0	20.0	36.0	48.0	60.0	60.0		
5.5	62.0	28.5	48.0	57.0	57.0	19.0	33.0	44.0	56.0	56.0		
6.0	59.0	27.6	45.0	54.0	54.0	18.0	31.0	42.0	52.0	52.0		
7.0	50.0	24.5	41.0	46.0	46.0	16.0	28.0	36.5	45.0	45.0		
8.0	43.0	22.3	36.0	40.0	40.0	15.0	25.0	34.0	40.0	40.0		
9.0	36.5	20.8	32.5	37.0	37.0	13.5	23.5	30.0	36.5	36.5		
10.0		20.0	30.0	33.0	33.0	12.5	21.5	27.5	35.0	33.5		
11.0		19.0	28.5	30.5	30.0	11.5	20.0	25.5	29.5	29.0		
12.0		18.0	26.0	26.5	26.0	11.0	19.0	24.0	26.0	25.5		
14.0						10.0	17.0	20.5	20.0	19.5		
16.0						9.0	15.0	17.0	16.5	16.0		
Reeving	12	12					10					
Hook	60T											
Telescoping mode	I	1	1	1	1	1	1	1	1	1	2	
	II	1	1	1	1	2	1	1	1	2	2	
	III	1	1	1	2	1	1	1	2	2	1	
	IV	1	1	2	1	1	1	2	2	1	1	
	V	1	2	1	1	1	3	2	1	1	1	

Note: The point marked with "*" is nominal lifting capacity. Those points marked with "**" is applicable with 80T hook.

LIFTING CAPACITY TABLES

Outrigger fully extended 8m, 28T CWT, over rear and sides											
Working Radius (m)	Boom length (m)										
	25,4	25,4	25,4	25,4	25,4*	29,7	29,7	29,7	29,7	29,7*	
3.0											
3.5											
4.0	25.0	27.0	42.0	51.0	51.0						
4.5	24.0	25.5	41.0	49.0	51.0						
5.0	23.0	24.5	39.0	46.0	51.0	21.0	25.0	27.7	43.0	44.0	
5.5	22.0	23.5	37.0	44.0	51.0	20.0	24.0	26.0	41.0	44.0	
6.0	21.0	22.0	35.5	42.0	51.0	19.5	23.0	24.5	39.5	44.0	
7.0	19.5	19.5	33.0	39.0	48.0	17.0	20.5	21.5	37.0	44.0	
8.0	17.0	17.0	30.0	37.0	42.0	15.5	18.5	19.7	34.0	40.0	
9.0	15.5	15.5	27.0	35.0	37.0	14.0	17.0	18.0	32.0	37.0	
10.0	14.0	14.3	24.5	33.0	34.0	13.0	15.5	16.5	29.5	34.0	
11.0	13.0	13.2	22.5	30.0	30.0	11.5	14.5	15.0	26.5	30.0	
12.0	12.0	12.3	21.0	26.0	26.0	11.0	13.5	14.0	25.0	26.0	
14.0	10.5	10.8	18.0	21.0	20.0	9.5	12.0	12.3	21.0	21.5	
16.0	9.3	9.7	16.0	17.5	16.5	8.4	10.5	11.0	18.0	17.5	
18.0	8.3	8.7	14.5	14.5	13.5	7.5	9.5	9.8	15.0	14.0	
20.0	7.5	7.7	12.0	12.0	11.0	6.8	8.5	8.8	13.0	12.0	
22.0						6.2	7.5	8.0	11.0	10.0	
24.0						5.3	7.0	6.8	9.5	8.7	
Reeving	8					7					
Hook	60T										
Telescoping mode	I	1	1	1	1	2	1	1	1	1	2
	II	1	1	1	2	2	1	1	1	2	2
	III	1	1	2	2	2	1	2	3	2	2
	IV	2	3	2	2	1	3	3	2	2	2
	V	3	2	2	1	1	3	2	2	2	1

Outrigger fully extended 8m, 28T CWT, over rear and sides											
Working Radius (m)	Boom length (m)										
	34,0	34,0	34,0	34,0	34,0*	38,3	38,3	38,3	38,3	38,3*	
3.0											
3.5											
4.0											
4.5											
5.0											
5.5											
6.0	20.2	22.0	27.0	29.5	40.0						
7.0	18.5	20.0	24.5	27.0	37.5	17.5	21.5	25.5	29.5	30.6	
8.0	17.0	18.0	21.0	24.5	34.0	16.0	19.5	23.0	27.5	28.3	
9.0	15.5	16.5	19.3	22.3	32.5	14.5	18.0	21.0	24.8	25.3	
10.0	14.0	15.0	17.5	20.5	31.5	13.5	16.6	19.4	23.0	23.0	
11.0	13.0	14.0	16.0	18.5	28.0	12.3	15.2	17.5	20.8	21.0	
12.0	12.2	13.0	15.2	17.5	26.0	11.5	14.1	16.2	19.3	19.5	
14.0	10.5	11.2	13.2	15.2	22.0	10.0	12.3	14.0	16.8	16.8	
16.0	9.2	10.0	11.8	13.4	18.0	9.0	11.0	12.2	15.0	15.8	
18.0	8.2	9.0	10.5	12.0	15.0	8.0	10.0	11.0	13.4	13.5	
20.0	7.4	8.0	9.5	11.0	12.5	7.1	9.0	9.8	11.9	12.0	
22.0	6.8	7.3	8.6	10.0	11.0	6.5	8.0	9.0	10.9	10.7	
24.0	6.2	6.6	8.0	9.2	9.5	6.0	7.5	8.1	9.5	9.2	
26.0	5.8	6.0	7.5	8.5	8.2	5.5	6.9	7.2	8.2	7.9	
28.0	5.0	5.5	6.8	7.5	7.2	5.0	6.4	6.6	7.1	6.8	
30.0						4.7	5.7	6.1	6.2	5.9	
32.0						4.0	4.8	5.6	5.4	5.1	
Reeving	6					5					
Hook	60T										
Telescoping mode	I	1	1	1	1	2	1	1	1	2	3
	II	1	1	2	3	2	1	2	3	3	2
	III	1	3	3	2	2	3	3	3	2	2
	IV	2	3	2	2	2	3	3	2	2	2
	V	3	2	2	2	2	3	2	2	2	2

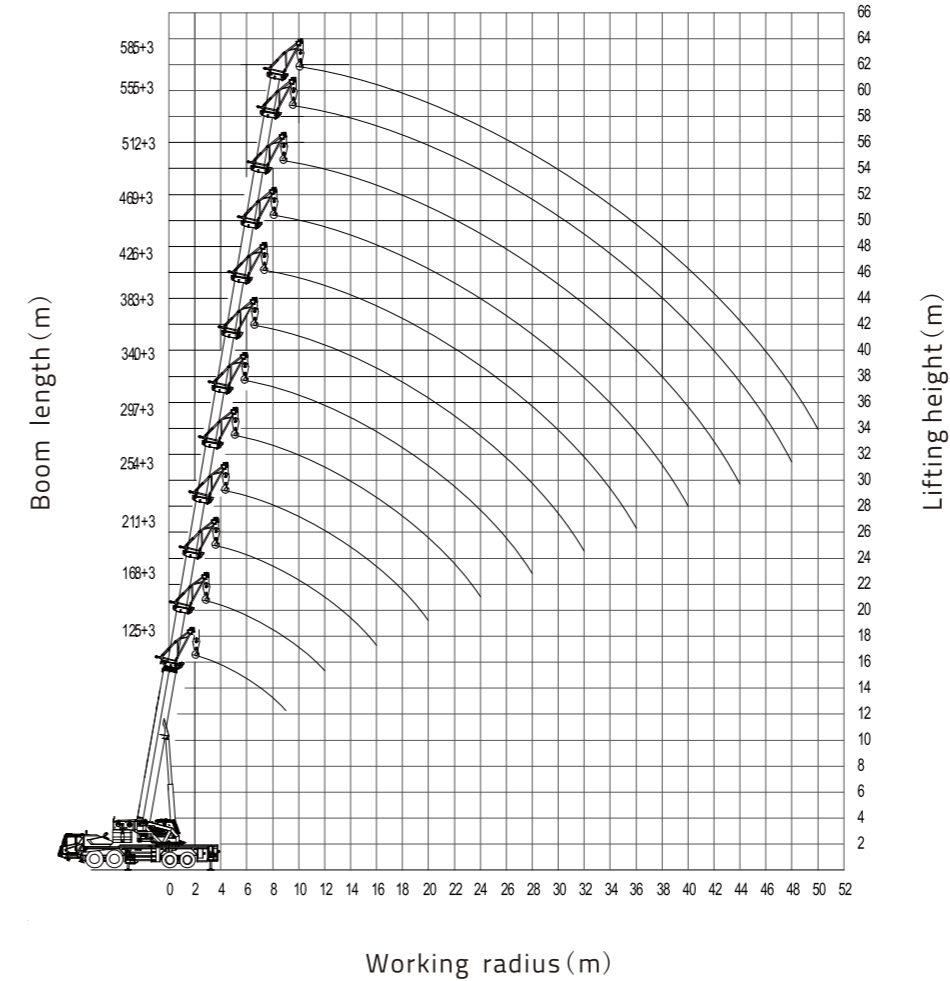
LIFTING CAPACITY TABLES

Outrigger fully extended 8m, 28T CWT, over rear and sides														
Working Radius (m)	Boom length (m)													
	42,6	42,6	42,6	42,6*	46,9	46,9	46,9*	51,2	51,2*	55,5*	58,5*			
9.0	16,5	19,0	22,0	24,0										
10.0	15,2	17,5	20,6	22,0	15,5	18,2	19,5							
11.0	14,0	16,0	18,5	20,0	14,3	16,8	18,0	13,0	14,5					
12.0	13,0	15,0	17,6	18,5	13,5	16,2	17,2	12,5	14,0					
14.0	11,2	13,3	15,3	16,5	12,0	14,0	15,5	11,5	12,5	10,5	9,8			
16.0	10,0	11,6	13,7	14,5	10,8	12,5	13,5	10,5	11,5	9,7	9,0			
18.0	8,9	10,3	12,2	12,6	9,5	11,4	12,0	10,1	11,0	9,0	8,5			
20.0	8,0	9,2	11,0	10,8	8,5	10,2	10,7	9,3	10,2	8,5	8,2			
22.0	7,4	8,4	9,4	9,6	7,8	9,0	9,2	8,5	9,2	8,0	7,7			
24.0	6,8	7,7	8,5	8,7	7,0	8,2	8,2	7,8	8,0	7,4	7,2			
26.0	6,2	7,1	7,8	7,8	6,5	7,2	7,4	7,0	7,0	6,7	6,6			
28.0	5,7	6,3	7,1	6,8	6,0	6,5	6,7	6,4	6,3	6,1	6,0			
30.0	5,3	5,5	6,4	5,8	5,5	6,0	5,9	5,6	5,8	5,6	5,5			
32.0	5,0	5,0	5,7	5,2	5,0	5,5	5,3	5,0	5,3	5,1	5,0			
34.0	4,5	4,4	5,0	4,5	4,5	5,0	4,7	4,6	4,8	4,6	4,5			
36.0	3,7	4,1	4,4	3,9	4,0	4,5	4,0	4,3	4,4	4,3	4,3			
38.0					3,7	4,1	3,6	4,0	3,8	3,8	3,8			
40.0					3,4	3,7	3,2	3,7	3,3	3,5	3,5			
42.0								3,4	3,0	3,2	3,2			
44.0									3,1	2,6	2,9	2,9		
46.0											2,6	2,6		
48.0											2,3	2,3		
50.0												2,0		
Reeving	4				3									
Hook	60T						3							
Telescoping mode	I	1	1	2	3	1	2	3	2	3	3	4		
	II	2	3	3	3	3	3	3	3	3	3	4		
	III	3	3	3	2	3	3	3	3	3	3	4		
	IV	3	3	2	2	3	3	2	3	3	3	4		
	V	3	2	2	2	3	2	2	3	2	3	4		

Boom angle (°)	Main boom + jib extension (m)		Main Boom (m) + jib (m)												Main boom + jib extension + jibs(m)					
	55,5+9,5	58,5+9,5	55,5+10,4				55,5+17,5				58,5+10,4				58,5+17,5				55,5+9,5+17,5	58,5+9,5+17,5
	0°	0°	0°	15°	30°	0°	15°	30°	0°	15°	30°	0°	15°	30°	0°	15°	30°	0°	0°	
80	6,5	6,0	6,0	4,5	3,5	3,5	2,5	1,8	5,0	4,5	3,5	3,5	2,5	1,8	2,3	2,1	2,0			
78	6,5	6,0	6,0	4,5	3,3	3,2	2,3	1,7	5,0	4,5	3,3	3,2	2,3	1,7	2,1	2,0				
76	6,2	5,4	5,5	4,5	3,3	3,0	2,0	1,6	4,8	4,5	3,3	3,0	2,0	1,6	2,0	1,9				
74	6,0	5,1	5,5	4,5	3,3	2,8	1,8	1,5	4,5	4,5	3,3	2,8	1,8	1,6	2,0	1,9				
72	5,6	4,8	5,0	4,2	3,0	2,6	1,8	1,5	4,5	4,2	3,0	2,6	1,8	1,5	1,9	1,8				
70	5,2	4,5	4,5	4,2	3,0	2,4	1,8	1,5	4,2	4,2	3,0	2,4	1,8	1,4	1,8	1,7				
68	4,8	4,2	4,2	3,9	3,0	2,2	1,7	1,4	4,2	3,9	3,0	2,2	1,7	1,4	1,7	1,6				
66	4,4	4,0	4,0	3,7	2,8	2,0	1,6	1,3	4,0	3,7	2,8	2,0	1,6	1,3	1,6	1,5				
64	4,1	3,8	3,7	3,3	2,8	1,9	1,6	1,3	3,7	3,3	2,8	1,9	1,6	1,3	1,5	1,4				
62	3,8	3,5	3,4	3,1	2,8	1,8	1,5	1,3	3,4	3,1	2,8	1,8	1,5	1,3	1,5	1,4				
60	3,6	3,3	3,2	2,9	2,6	1,7	1,4	1,2	3,1	2,8	2,6	1,7	1,4	1,2	1,4	1,3				
58	3,4	3,1	2,9	2,7	2,4	1,6	1,3	1,2	2,8	2,5	2,4	1,6	1,3	1,2	1,4	1,3				
56	3,2	2,9	2,5	2,3	2,1	1,5	1,3	1,2	2,5	2,3	2,1	1,5	1,3	1,2	1,3	1,2				
54	3,0	2,7	2,2	2,0	1,8	1,4	1,3	1,1	2,2	2,0	1,8	1,4	1,3	1,1	1,2	1,1				
52	2,8	2,5	2,0	1,8	1,6	1,4	1,2	1,1	2,0	1,8	1,6	1,4	1,2	1,1	1,2	1,1				
50	2,6	2,4	1,9	1,7	1,5	1,4	1,2	1,1	1,9	1,7	1,5	1,4	1,2	1,1	1,1	1,0				
48	2,4	2,2	1,8	1,6	1,4	1,3	1,2	1,1	1,8	1,6	1,4	1,3	1,1	1,0	1,0	0,9				
46	2,2	2,0	1,7	1,5	1,3	1,2	1,1	1,0	1,7	1,5	1,3	1,2	1,1	1,0						
44	2,0	1,8	1,6	1,4	1,2	1,2	1,1	1,0	1,6	1,4	1,2	1,1	1,0	0,9						
42	1,8	1,6	1,5	1,3	1,1	1,1	1,0	0,9	1,5	1,3	1,1	1,1	1,0	0,9						
40	1,7	1,5	1,4	1,2	1,0	1,0	0,9	0,8	1,4	1,2	1,0	1,0	0,9	0,8						
38	1,6	1,4	1,3	1,1	0,9	0,9			1,3	1,1	0,9	0,9								
36	1,5	1,3	1,2						1,2											
Reeving	1																			
Hook	6,5T																			

LIFTING HEIGHT CURVE

Lifting height chart with the main boom and tip boom installed



LIFTING CAPACITY TABLES

Outrigger fully extended 8m, 28T CWT, over rear and sides												
Working Radius (m)	Tip boom length: 3m; offset: 30°											
	12,5*	16,8	16,8	16,8	16,8*	21,1	21,1	21,1	21,1	21,1	21,1*	
3.0	18,0											
3.5	16,0	16,0	16,0	16,0	16,0							
4.0	16,0	16,0	16,0	16,0	16,0							
4.5	16,0	16,0	16,0	16,0	16,0	16,0	16,0	16,0	16,0	16,0	16,0	16,0
5.0	16,0	16,0	16,0	16,0	16,0	15,5	16,0	16,0	16,0	16,0	16,0	16,0
5.5	16,0	16,0	16,0	16,0	16,0	15,0	16,0	16,0	16,0	16,0	16,0	16,0
6.0	16,0	16,0	16,0	16,0	16,0	14,0	16,0	16,0	16,0	16,0	16,0	16,0
7.0	16,0	15,5	16,0	16,0	16,0	13,0	16,0	16,0	16,0	16,0	16,0	16,0
8.0	15,5	14,5	16,0	16,0	16,0	12,0	16,0	16,0	16,0	16,0	16,0	16,0
9.0	15,0	14,0	16,0	16,0	16,0	11,0	15,0	16,0	16,0	16,0	16,0	16,0
10.0	14,5	13,5	15,5	15,5	15,5	10,0	14,0	16,0	16,0	16,0	16,0	16,0
11.0	14,0	12,5	15,0	15,0	15,0	9,5	13,5	16,0	16,0	16,0	16,0	16,0
12.0	13,5	12,0	14,5	14,5	14,5	9,0	13,0	16,0	16,0	16,0	16,0	16,0
14.0		11,0	14,0	14,0	14,0	8,0	12,0	15,5	15,5	15,0	15,0	15,0
16.0						7,0	11,0	15,0	15,0	14,5	14,5	14,5
18.0						6,5	10,5	14,0	14,0	13,5	13,5	13,5
Reeving	3											
Hook	18T (optional)											
Telescoping mode	I	1	1	1	1	1	1	1	1	1	1	2
	II	1	1	1	1	2	1	1	1	2	2	2
	III	1	1	1	2	1	1	1	2	2	1	1
	IV	1	1	2	1	1	1	2	2	1	1	1
	V	1	2	1	1	1	3	2	1	1	1	1

LIFTING CAPACITY TABLES

Outrigger fully extended 8m, 28T CWT, over rear and sides											
Working Radius (m)	Tip boom length: 3m; offset: 30°										
	25,4	25,4	25,4	25,4	25,4*	29,7	29,7	29,7	29,7	29,7*	
3.0											
3.5											
4.0											
4.5											
5.0											
5.5	16.0	16.0	16.0	16.0	16.0						
6.0	15.0	16.0	16.0	16.0	16.0						
7.0	14.0	15.0	16.0	16.0	16.0	13.5	16.0	16.0	16.0	16.0	
8.0	13.0	14.0	16.0	16.0	16.0	12.2	15.0	16.0	16.0	16.0	
9.0	12.0	13.0	16.0	16.0	16.0	11.2	14.0	15.0	16.0	16.0	
10.0	11.0	12.0	15.0	16.0	16.0	10.2	13.0	14.0	16.0	16.0	
11.0	10.5	11.0	14.5	16.0	16.0	9.5	12.0	13.0	16.0	16.0	
12.0	9.5	10.0	14.0	16.0	16.0	9.0	11.5	12.0	15.5	16.0	
14.0	8.5	9.0	13.0	16.0	16.0	8.0	10.0	10.5	14.5	16.0	
16.0	8.0	8.0	12.0	15.5	15.5	7.0	9.0	9.5	13.5	15.0	
18.0	7.5	7.5	11.5	14.5	14.0	6.0	8.0	8.5	12.5	13.5	
20.0	7.0	7.0	11.0	13.0	12.0	5.8	7.3	7.5	12.0	12.0	
22.0	6.5	6.5	10.5	11.0	10.0	5.3	6.6	6.8	11.0	10.5	
24.0						4.8	6.0	6.2	10.0	9.0	
26.0						4.5	5.6	5.8	9.0	8.0	
Reeving	3										
Hook	18T (optional)										
Telescoping mode	I	1	1	1	1	2	1	1	1	1	2
	II	1	1	1	2	2	1	1	1	2	2
	III	1	1	2	2	2	1	2	3	2	2
	IV	2	3	2	2	1	3	3	2	2	2
	V	3	2	2	1	1	3	2	2	2	1

Outrigger fully extended 8m, 28T CWT, over rear and sides											
Working Radius (m)	Tip boom length: 3m; offset: 30°										
	34,0	34,0	34,0	34,0	34,0*	38,3	38,3	38,3	38,3	38,3*	
3.0											
3.5											
4.0											
4.5											
5.0											
5.5											
6.0											
7.0											
8.0	12.5	14.0	16.0	16.0	16.0						
9.0	11.5	13.0	16.0	16.0	16.0	12.0	14.0	16.0	16.0	16.0	
10.0	10.5	12.0	15.0	16.0	16.0	11.0	13.0	15.5	16.0	16.0	
11.0	10.0	11.0	14.0	16.0	16.0	10.0	12.0	14.5	16.0	16.0	
12.0	9.5	10.0	13.0	15.0	16.0	9.5	11.5	13.5	16.0	16.0	
14.0	8.5	9.0	12.0	13.5	15.0	8.1	10.0	12.0	14.5	15.0	
16.0	7.5	8.0	10.5	12.0	14.0	7.2	9.0	10.5	13.0	13.5	
18.0	6.5	7.0	9.5	11.0	13.0	6.3	8.0	9.5	11.5	12.0	
20.0	6.0	6.5	8.5	10.0	12.0	5.7	7.0	8.5	10.5	11.0	
22.0	5.5	5.8	7.7	9.3	11.0	5.1	6.5	7.7	9.5	10.0	
24.0	5.0	5.3	7.0	8.5	9.5	4.6	6.0	7.2	8.9	9.1	
26.0	4.5	4.8	6.5	7.8	8.5	4.2	5.5	6.6	8.2	8.2	
28.0	4.2	4.5	6.0	7.2	7.5	3.8	5.1	6.0	7.4	7.0	
30.0	3.9	4.2	5.5	6.6	6.5	3.5	4.7	5.6	6.5	6.1	
32.0						3.2	4.2	5.2	5.7	5.4	
34.0						2.9	3.8	4.8	5.0	4.7	
Reeving	3										
Hook	18T (optional)										
Telescoping mode	I	1	1	1	1	2	1	1	1	2	3
	II	1	1	2	3	2	1	2	3	3	2
	III	2	3	3	2	2	3	3	3	2	2
	IV	3	3	2	2	2	3	3	2	2	2
	V	3	2	2	2	2	3	2	2	2	2

LIFTING CAPACITY TABLES

Outrigger fully extended 8m, 28T CWT, over rear and sides											
Working Radius (m)	Tip boom length: 3m; offset: 30°										
	42,6	42,6	42,6	42,6*	46,9	46,9	46,9*	51,2	51,2*	55,5*	58,5*
11.0	11.0	13.0	15.0	16.0							
12.0	10.0	12.0	14.0	15.5	10.5	12.0	13.0				
14.0	9.0	11.0	13.0	14.0	9.5	11.0	12.5	9.5	11.0		
16.0	8.0	9.5	11.5	12.5	8.5	10.0	11.5	8.5	10.0	8.5	8.0
18.0	7.1	8.5	10.0	11.0	7.5	9.0	10.0	8.0	9.0	8.0	7.5
20.0	6.4	7.7	9.1	10.0	7.0	8.1	9.1	7.5	8.2	7.5	7.0
22.0	5.8	7.1	8.2	9.0	6.5	7.4	8.2	7.0	7.5	7.0	6.5
24.0	5.2	6.5	7.6	8.2	5.7	6.7	7.6	6.5	7.0	6.5	6.0
26.0	4.8	5.9	7.0	7.4	5.2	6.2	6.9	6.0	6.3	6.0	5.5
28.0	4.4	5.3	6.5	6.8	4.8	5.7	6.2	5.5	5.7	5.5	5.0
30.0	4.1	4.7	6.0	6.1	4.5	5.3	5.7	5.0	5.4	5.0	4.7
32.0	3.8	4.4	5.6	5.4	4.2	4.9	5.2	4.5	5.0	4.7	4.4
34.0	3.5	4.1	5.1	4.7	3.9	4.6	4.8	4.2	4.7	4.4	4.1
36.0	3.3	3.9	4.5	4.1	3.6	4.3	4.3	3.9	4.3	4.1	3.8
38.0	3.1	3.7	4.0	3.6	3.3	4.0	3.8	3.6	4.0	3.8	3.6
40.0					3.1	3.6	3.3	3.4	3.6	3.5	3.4
42.0					2.9	3.3	2.9	3.2	3.1	3.2	3.1
44.0								3.0	2.7	2.9	2.8
46.0								2.6	2.3	2.6	2.6
48.0										2.3	2.3
50.0										2.0	2.0
52.0											1.7
54.0											1.4
Reeving	3										
Hook	60T										
Telescoping mode	I	1	1	2	3	1	2	3	2	3	4
	II	2	3	3	3	3	3	3	3	3	4
	III	3	3	3	2	3	3	3	3	3	4
	IV	3	3	2	2	3	3	2	3	3	4
	V	3	2	2	2	3	2	2	3	2	3

TECHNICAL SPECIFICATIONS

Crane Superstructure	
Main boom	6 section U-shaped single cylinder pinning telescoping boom, made of high-tensile steel plate (960 Mpa). Main boom length: 12.5m-58.5m.
Jib	Standard 2 section lattice jibs(10.4m,17.5m), offset: 0°,15°,30°. 9.5m jib extension can be applied with main boom or standard jibs and it's optional.
Tip boom	Optional 3m tip boom with offset 0°,30°, max. reeving 3, max. lifting load 18T. It can be attached with the crane during transportation.
Winch	Main winch and auxiliary winch with variable displacement piston motors and planetary reducers. Anti-twist wire ropes, diameter 20mm.
Slewing gear	Dual hydraulic fixed displacement motors, planetary reducer and slewing bearing. Free slewing function.
Hoisting gear	Main winch and auxiliary winch can either operate separately, or work simultaneously. Main winch various displacement motor, while auxiliary winch uses fixed displacement motor. Wire rope diameter 19mm. Auxiliary winch and wire ropes are optional.
Hydraulic system	Electronic and hydraulic proportional control system with better micro-position movement and compound movements.
Electrical system	DC 24V, superstructure with CAN BUS technology.
Operator's cab	New cab with spacious room and man-machine friendly layout offers a comfortable operating experience. AC and heater.
Safety devices	LMI, limit switch, relief valve, emergency stop button etc.
Counterweight	Counterweight ballasting system with 28T total counterweight.

Crane Carrier	
Chassis	Right-hand drive chassis made by ZOOMLION with high-tensile steel plate.
Outrigger	2 stage H-type outriggers with wide spread 6.38m(W)*8m(L). 5th outrigger.
Engine	WEICHAI WP12.375E50 diesel engine, output 276KW, max. torque 1800N*m.
Transmission	FAST mechanical gear box with 10 forward gears and 2 reverse gears.
Axles	Front 2 axles are steering and last 2 axles are driving.
Suspension	Front axle leaf steel spring suspension and rear axle V-shaped rubber suspension
Steering	Front 2 axles steering with power steering assistant system.
Brake	Service brake, parking brake and emergency brake and auxiliary brake.
Tires	Total 12 tires with one spare tire, tire size: 385 / 95R25 (front),12.00R24 (rear).
Driver's cab	Modern and luxury driver's cab with man-machine friendly layout offers a comfortable operating experience. AC and heater.