

# ZOOMLION TRUCK CRANE ZTC300R532



**ZOOMLION**

**Zoomlion Heavy Industry Science & Technology Co.,Ltd.**

Add: No.677, Lugu Road, Zoomlion Industrial Park, Changsha, Hunan, China, 410205

Copyright©2020 Zoomlion. All rights reserved. Reproduction and copying of any part of contents is not allowed for any purposes without Zoomlion's approval.



Product specifications are subject to change without notice and obligation. The photographs and/or drawing in this document are for illustrative purposes only. Please consult your local ZOOMLION dealer for more information.  
website:en.zoomlion.com 2020.09.03

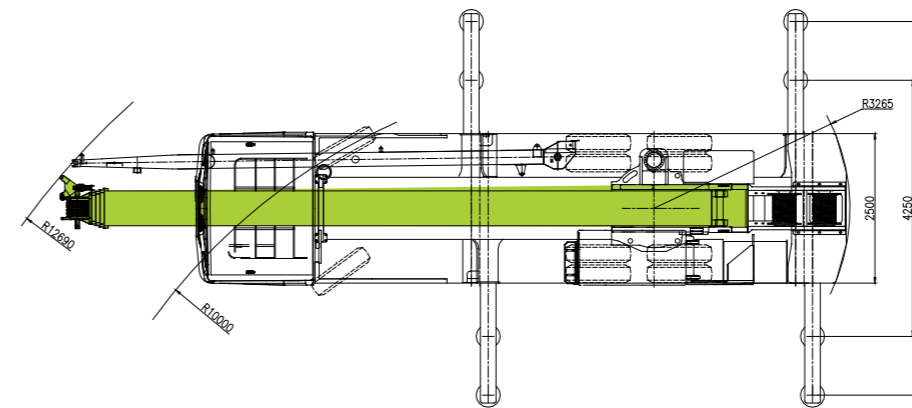
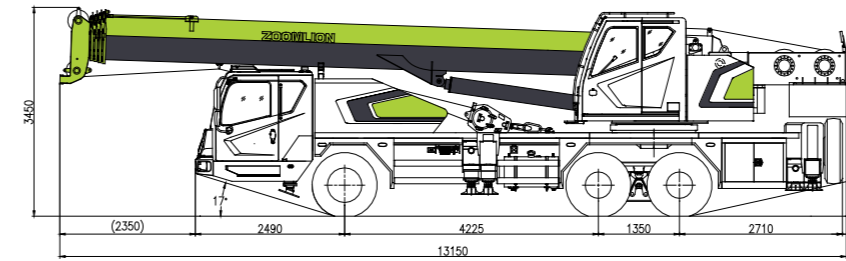
**ZOOMLION**

**4.0**  
PRODUCTS

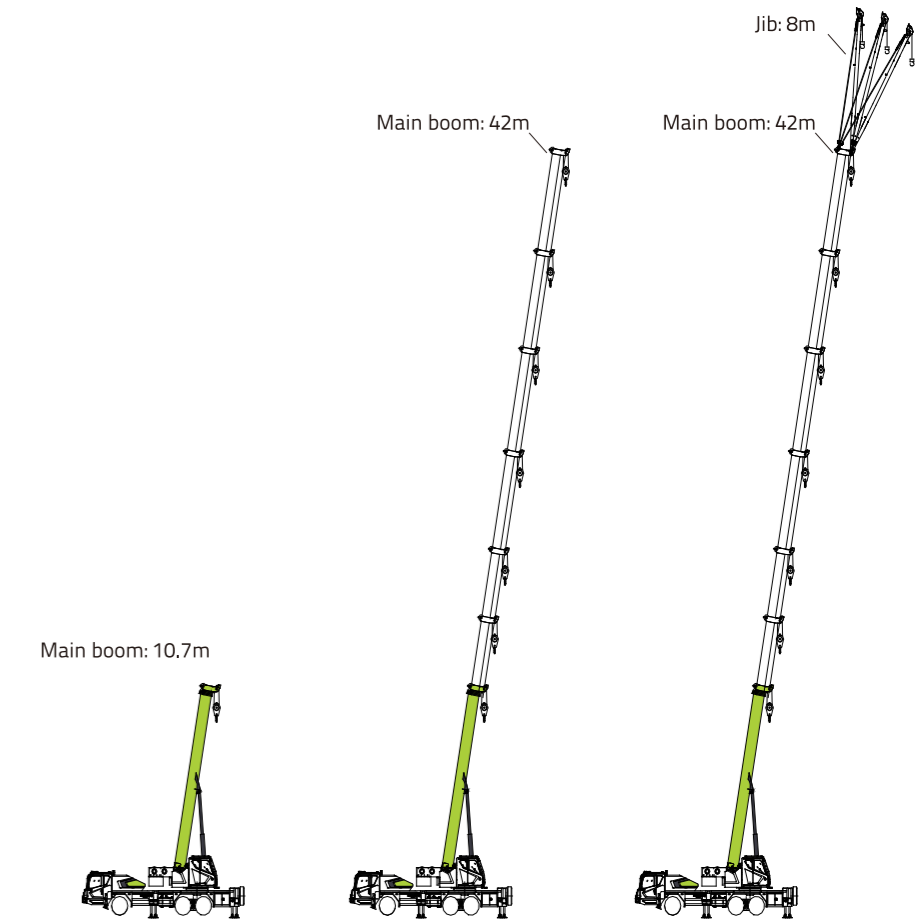
# CONTENTS

CRANE DIMENSIONS .....	2
BOOM / JIBS COMBINATION .....	2
CRANE AND COMPONENT WEIGHTS .....	3
LIFTING CAPACITY TABLES .....	4-5
TECHNICAL SPECIFICATIONS .....	5
MAIN TECHNICAL PARAMETERS .....	6

## CRANE DIMENSIONS



## BOOM / JIBS COMBINATION



## CRANE AND COMPONENT WEIGHTS

Axle	1	2	3	Total weight
T	6,61	12,95	12,95	32,51

### Hook Detailed Description

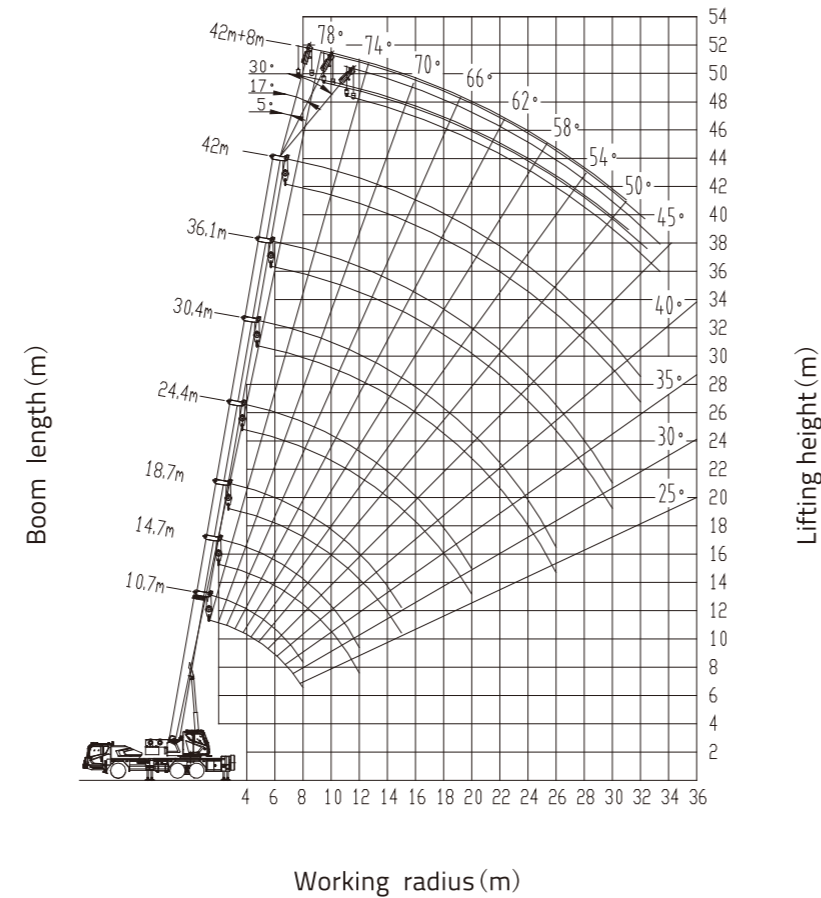
Hook Load T	No. of Sheaves	No. of Lines	Weight Kg	Remark
30	4	8	340	standard
3	—	1	80	standard

### Working Speed

12R22.5 / 11.00R20	90 (km/h) MAX.	42	9 / R1

Drive	Operation Speed	Rope Diameter/length	Max. Single Line Pull
1	120m/min	Φ17mm/180m	4000Kg
2	120m/min	Φ17mm/110m	4000Kg
360	0 ~ 2.7r/min		
	25s / 85s		
	84s / 80s		

## LIFTING HEIGHT CURVE



## LIFTING CAPACITY TABLES

Unit: kg

Radius (m)	Main boom (m)						
	Telescoping cylinder I and outrigger fully extended, over rear and sides						
	10.7m	14.7m	18.7m	24.4m	30.4m	36.1m	42.0m
3.0	30000	25000	19400				
3.5	25000	23500	19400				
4.0	23000	22000	19400				
4.5	21000	20500	19400	16600			
5.0	19500	19000	18200	15800			
5.5	18000	17500	16800	15000			
6.0	16500	16500	15600	14000	12200		
6.5	15000	15000	14400	13000	11400		
7.0	13500	13200	13200	12200	10800		
7.5	12500	12200	12200	11500	10200	8600	
8.0	11500	11200	11200	10800	9600	8200	
9.0		9600	9400	9600	8700	7400	6400
10.0		8100	8000	8500	7900	6800	6000
11.0		6800	6700	7400	7200	6200	5600
12.0		5600	5500	6200	6600	5800	5200
13.0			4600	5300	5800	5400	4800
14.0			3800	4500	5000	5000	4400
15.0			3100	3800	4300	4600	4100
16.0				3300	3800	4000	3800
18.0				2450	2900	3100	3300
20.0				1750	2200	2500	2700
22.0					1650	1900	2100
24.0					1200	1450	1650
26.0					800	1100	1300
28.0						800	1000
30.0						550	750
32.0							500
I	0	4.0	8.0	8.0	8.0	8.0	8.0
II	0	0	0	5.7	11.7	17.4	23.3
Reeving	8	8	6	5	4	3	3
Hook	30t						

Unit: kg

Radius (m)	Main boom (m)					
	Telescoping cylinder I half extended, outrigger fully extended, over rear and sides					
	10.7m	14.7m	20.4m	26.4m	32.1m	38.0m
3.0	30000	25000				
3.5	25000	23500	16600			
4.0	23000	22000	16600			
4.5	21000	20500	16600			
5.0	19500	19000	16600	14800		
5.5	18000	17500	16600	14800		
6.0	16500	16500	15600	14800		
6.5	15000	15000	14400	14000	10000	
7.0	13500	13200	13200	13200	9600	
7.5	12500	12200	12200	12200	9200	
8.0	11500	11200	11000	11000	8800	7300
9.0		9600	9600	9600	8000	6800
10.0		8100	8600	8600	7300	6300
11.0		6800	7400	7600	6600	5700
12.0		5600	6200	6800	6100	5300
13.0			5300	5800	5600	4900
14.0			4500	5000	5200	4500
15.0			3900	4400	4700	4200
16.0			3400	3800	4100	3900
18.0				2900	3200	3400
20.0				2200	2500	2700
22.0				1700	2000	2200
24.0					1550	1750
26.0					1200	1400
28.0					900	1100
30.0						850
32.0						650
I	0	4.0	4.0	4.0	4.0	4.0
II	0	0	5.7	11.7	17.4	23.3
Reeving	8	8	5	4	3	3
Hook	30t					

## LIFTING CAPACITY TABLES

Unit: kg

Radius (m)	Main boom (m)				
	Telescoping cylinder I fully retract, outrigger fully extended, over rear				
	10.7m	16.4m	22.4m	28.1m	34.0m
3.0	30000	16600			
3.5	25000	16600			
4.0	23000	16600	15200		
4.5	21000	16600	15200		
5.0	19500	16600	15200		
5.5	18000	16600	15200	10600	
6.0	16500	15800	14600	10200	
6.5	15000	15000	14000	9800	
7.0	13500	13200	13200	9400	7800
7.5	12500	12200	12200	9000	7500
8.0	11500	11200	11200	8600	7200
9.0		9600	9500	7800	6600
10.0		8600	8700	7200	6100
11.0		7800	7900	6600	5600
12.0		6600	7000	6100	5200
13.0		5700	6100	5700	4800
14.0		4900	5300	5300	4500
15.0			4700	4900	4200
16.0			4200	4300	3900
18.0			3300	3400	3400
20.0				2700	2900
22.0				2200	2400
24.0				1800	2000
26.0					1600
28.0					1300
30.0					1050
I	0	0	0	0	0
II	0	5,7	11,7	17,4	23,3
Reeving	8	5	4	3	3
Hook			30t		

Unit: kg

Main boom angle (°)	Main boom + jib		
	Outrigger fully extended		
	42.0+8.0		
	5°	17°	30°
	Over rear and sides	Over rear and sides	Over rear and sides
80	3000	2200	1600
78	2900	2150	1600
76	2800	2100	1500
74	2650	2000	1450
72	2450	1850	1400
70	2250	1750	1350
68	2100	1600	1300
66	1900	1500	1250
64	1650	1400	1200
62	1450	1250	1050
60	1200	1100	950
58	1000	900	800
56	850	750	650
54	700	600	500
52	570	520	470
50	430	410	400
Reeving: 1			
3t hook			

## TECHNICAL SPECIFICATIONS

### Crane Superstructure

<b>Main boom</b>	5 section U-shaped main boom can telescope via ropes and sheaves, main boom length: 10.7m-42.0m.
<b>Jib</b>	One sections jib, side layout, open from bottom. Jib length 8m, offset 5°, 17°, 30°.
<b>Slewing gear</b>	Hydraulic fixed displacement motor, planetary reducer and slewing bearing. Free swing function.
<b>Hoisting gear</b>	Dual winches with variable displacement piston motors and planetary reducers. Wire rope diameter: 17mm.
<b>Hydraulic system</b>	Advanced hydraulic proportional control system with hydraulic pilot control joystick. Quadruple gear pumps offer oil for all the movements. Hydraulic tank 500 liters.
<b>Electrical system</b>	DC 24V, superstructure and chassis electrical system offers a comfortable and safe operation.
<b>Operator's cab</b>	New cab with spacious room and man-machine friendly layout offers a comfortable operating experience. AC and heater.
<b>Safety devices</b>	LMI, limit switch, relief valve, emergency stop button etc.
<b>Counterweight</b>	6.2T counterweight.

### Crane Carrier

<b>Chassis</b>	Right-hand drive chassis made by ZOOMLION with high-tensile steel plate.
<b>Outrigger</b>	1 stage H-type outriggers with wide spread 5.4m(W)*6.2m(L). 5th outrigger.
<b>Engine</b>	WEICHAI WP7.270E31 diesel engine, output 199KW, max. torque 1160N*m. Fuel tank 250 liters.
<b>Transmission</b>	FAST mechanical gear box with 9 forward gears and 1 reverse gear.
<b>Axles</b>	Front steering axle, rear tandem axles are driving axles, can bear 13T load.
<b>Suspension</b>	Front axle leaf steel spring suspension and rear axle rubber suspension with thrust rod and balanced beams.
<b>Steering</b>	Front axle steering with power steering assistant system.
<b>Brake</b>	Service brake, parking brake and emergency brake and auxiliary brake. ABS.
<b>Tires</b>	Total 10 tires with one spare tire, tire size: 12R22.5 / 11.00R20.
<b>Driver's cab</b>	Modern and luxury driver's cab with man-machine friendly layout offers a comfortable operating experience. AC and heater.

Item		Value	Remarks	
Working performance	Max. rated lifting capacity	kg	30000	
	Max. load moment of basic boom	kN.m	990	
	Max. load moment of Max. length main boom	kN.m	624	
	Max. lifting height of basic boom	m	11.3	
	Max. lifting height of main boom	m	42.1	These parameters do not include deflection of boom and jib.
Max. lifting height of jib	m	50		
Working speeds	Max. hoist rope speed (Main winch)	m/min	120	At 4 <sup>th</sup> layer
	Max. hoist rope speed (Auxiliary winch)	m/min	120	At 4 <sup>th</sup> layer
	Boom derricking up time	s	25	
	Boom telescoping out time	s	84	
	Slewing speed	r/min	0~2.7	
Driving	Max. working altitude	m	2000	
	Max. driving speed	km/h	90	
	Max. gradeability	%	42	
	Min. turning diameter	m	≤20	
	Min. ground clearance	mm	260	
Weight	Oil consumption per hundred kilometer	L	28	
	Deadweight in driving condition	kg	32510	
	Complete vehicle kerb mass	kg	32380	
	Front axle load	kg	6610	
	Rear axle load	kg	25900	
Dimension	Overall dimensions (L×W×H)	mm	13150×2500×3450	
	Outrigger spread (W)		5.40	
	Outrigger spread (L)	m	Fully extended: 6.20, Half extended: 4.25	
	Tail slewing radius	mm	3265	
	Main boom length	m	10.7 ~ 42.0	
	Main boom angle	°	-1 ~ 80	
	Jib length	m	8	
Offset	°	5, 17, 30		